

**JUKI**<sup>®</sup>

LH-3528 / LH-3528-7  
LH-3568 / LH-3568-7  
(with organized split needle bar)



2-needle, Semi-dry-head, Lockstich Machine

LH-3500 series

Users sometimes have to sew when “a sewing material or thread is changed,” “the material overlaps (multi-layered) parts or corners,” or “the thickness of a material varies widely during a sewing process.”

**The LH-3500 Series lets operators sew and adjust seams easily under these difficult conditions and after changes in the sewing settings.**

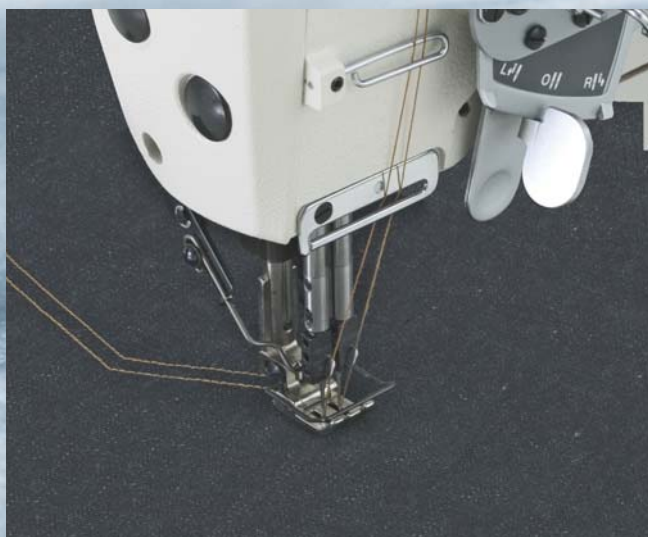
**The LH-3500 is a basic 2-needle model designed with a good balance between functions (seam quality) and cost.**

\*The machine design targets consistent seam quality, a crucial requirement for most users of 2-needle lockstitch machines.

\*The machine comes with a host of basic new sewing mechanisms to ensure tight stitches and careful adjustment of the thread tension to match the thicknesses of overlapped (multi-layered) materials.



LH-3528



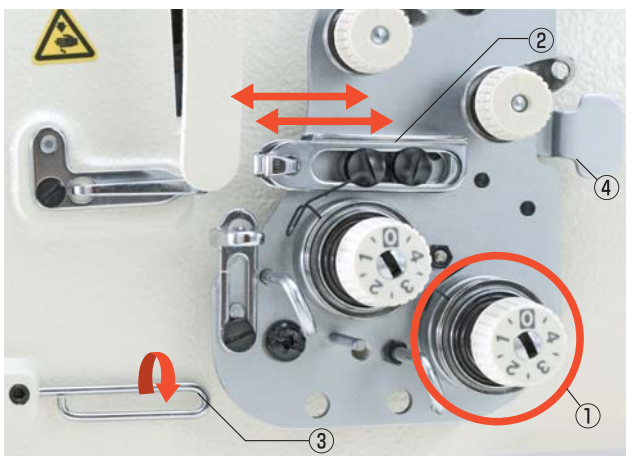
LH-3568

# The machine supports a broader range of sewing specifications.

**The LH-3500 sews with a far wider range of thread tensions than the conventional model, from extremely loose to very taut. The machine is also equipped with functions for sewing a broader range of light- to heavy-weight materials.**

## Superior seam for upgraded seam quality

- (1) The needle thread tensioner uses the same type of thread tension controller used in the JUKI series of 1-needle, lockstitch machines (common components). Better still, the thread take-up spring is easier to adjust and replace in comparison with conventional models. The spring guarantees far more consistent thread tension during low-tension sewing of light-weight materials. The adjusting screw has calibration markings to facilitate adjustment.
- (2) The right and left take-up thread guides are separately adjustable. The thread taken up by the two thread guides can be easily adjusted to the optimum lengths (for optimal balance between the right and left seam stitches).
- (3) A movable rotary thread guide is installed. This component reduces the thread flapping encountered with certain materials and certain smooth-surfaced threads.
- (4) The needle thread can be easily drawn out by lightly pressing the tension-releasing lever. With models from the LH-3500 Series, operators can now change over (interlock) between tension-disk opening and closing when the knee lifter is in use.



Tensioner

## Finely adjustable stepless stitch dial

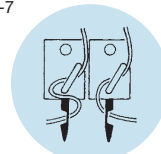
The stitch dial can now be finely adjusted in a stepless manner. A newly designed mechanism prevents the dial from loosening or deviating from its setting during extended periods of use.

## New model of wire-type needle clamp

The machine comes with a newly developed needle clamp to increase the stability of needle-thread loops and to reduce untwining of the thread. The needle clamp works to improve the right and left seam balance and prevent thread breakage, in an idling stitching process, by changing needle threading according to the type and thickness of thread.



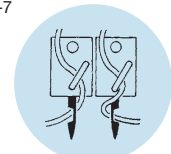
LH-3528-7



Filament thread (high-count)



LH-3568-7



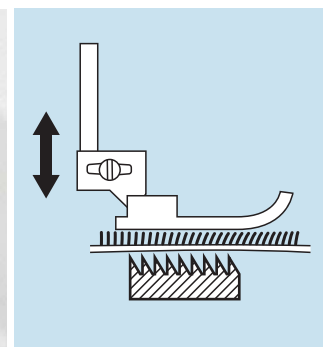
Filament thread (medium- to low-count), Span thread

## Material-friendly micro-lifter

The new technique of keeping the presser foot slightly lifted during sewing ensures a superior finish for shaggy and elastic fabrics without sacrificing the inherent beauty of the fabric color or texture. Materials are handled more easily and sewing problems such as material damage and uneven material feed are eliminated.



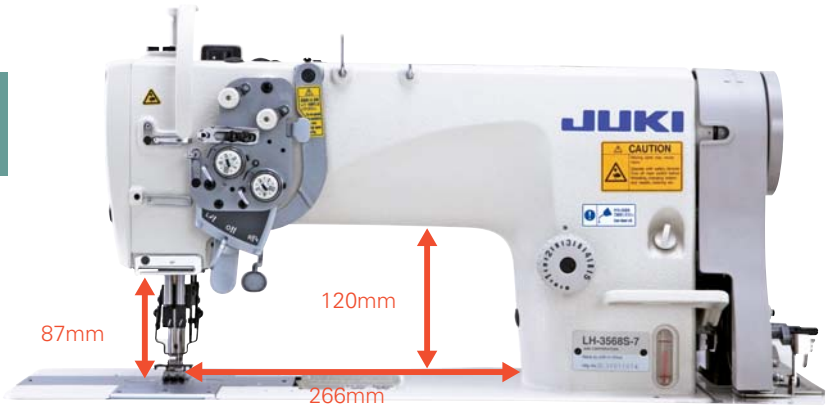
Eccentric pin



# Upgraded workability and maintainability

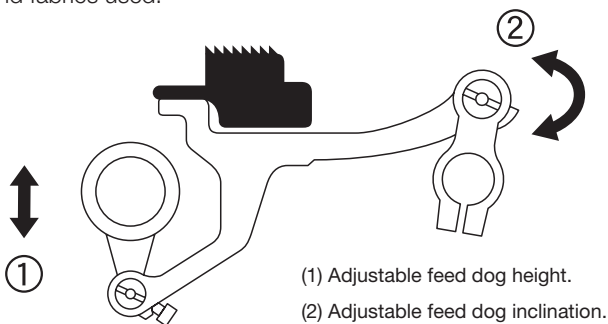
## The increased distance from the machine arm to the needle promises enhanced workability

The high-&-long design of the machine arm increases the distance between the arm and needle, while the bed size remains the same as that of a conventional model. The high-&-long arm offers more space for the handling of larger products such as jeans.



## Easily adjustable feed dog

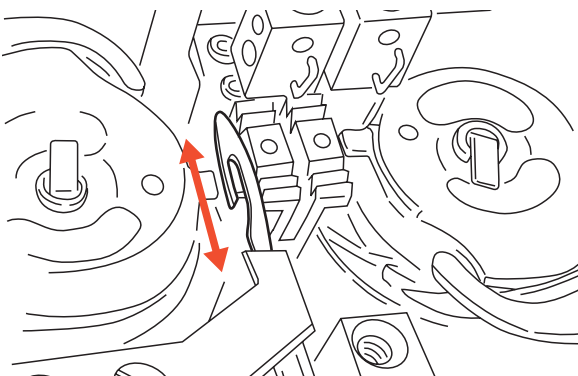
The inclination and height of the feed dog can be adjusted more easily to suit the sewing process, sewing conditions, and fabrics used.



## New, highly reliable thread-trimming mechanism

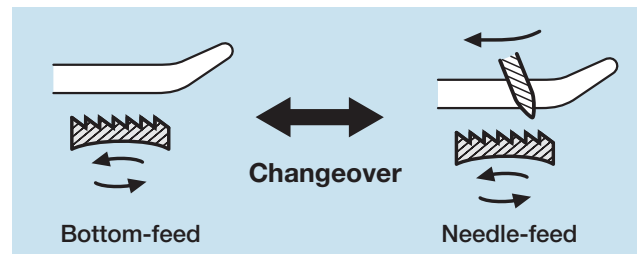
The thread-trimming mechanism has been completely changed from a conventional rocking type to a direct-acting type.

The linear locus of the moving knife of the direct-acting thread-trimming mechanism ensures consistent spreading of the thread. The chief benefit of this innovation is complete reliability in trimming both needle thread and bobbin thread. As an added merit, the bobbin-thread-retaining function improves maintainability and the flexibility of adjustment based on the thread count.



## Changeover between the needle feed and bottom feed

For example, for processes such as the topstitching of brassier cups and top-center plait of men's shirts, which need to be sewn so as to prevent puckering, the use of a bottom feed gauge is recommended. The bottom feed gauge is effective at the prevention of puckering and enables sewing with a lower tension applied to the thread. Gauge replacement and simple adjustment are required when switching between needle-feed and bottom-feed methods.



Needle-feed gauge		
Presser foot	Throat plate	Feed dog
Bottom-feed gauge		
Presser foot	Throat plate	Feed dog

# A semi-dry head is now installed in all of the models of the LH-3500 Series.

All models of the LH-3500 Series are provided with a semi-dry head to eliminate staining with oil from the frame (the needle bar part).

The hook part lubrication is as light, clean, and consistent as possible.

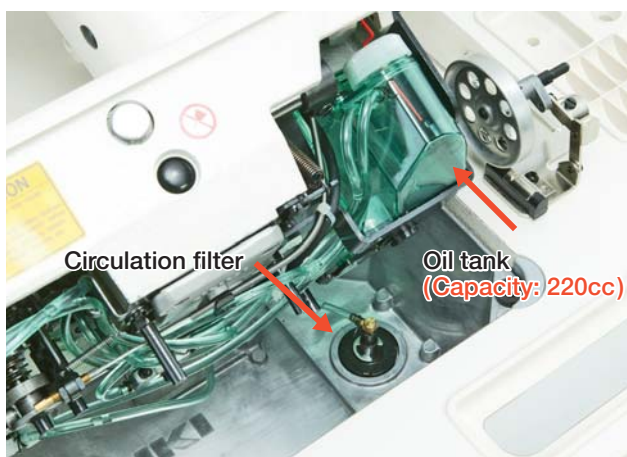
JUKI has repeatedly refined and reworked the lubrication on the hook race surface to perfect its quality and consistency. The upgraded lubrication of these components dramatically enhances seam quality.

## Newly-developed clean oiling mechanism

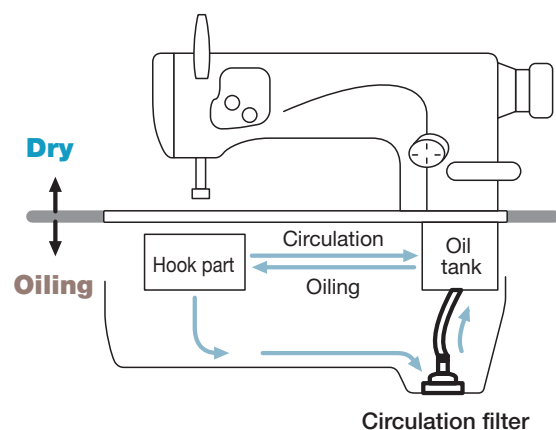
\*Two different oiling systems can be selected.

### (1) Oil circulation system (standard)

The oil which drops from the area surrounding the hook into the under cover is purified with a circulation filter and then returned to the oil tank. This reduces oil consumption and liberates users from cumbersome oiling work.



Oil tank



### (2) Clean oil system

The oil which drops from the area surrounding the hook part into the under cover is never circulated. Only clean oil is fed to the hook.

## Options

### Kit A for one-touch type reverse feed

: Part No. 40041976

### Kit B for one-touch type reverse feed

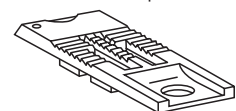
: Part No. 40041976

Automatic back-tucking device can be retrofitted to the machine with no thread trimmer.

\* Kit B for one-touch type reverse feed contains kit A for one-touch type reverse feed, a synchronizer, a resistor pack and a pulley.

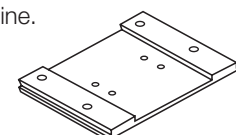
### Throat plate for tape attaching

The throat plate is designed with a hollow on the side facing the operator. This hollow helps smooth the feeding of tape.



### Slide plate (this side): Part No.23206709

This reduces the height when the tape-attaching holder is fixed on the machine.





## SPECIFICATIONS

Model name	LH-3500 Series	
Application	A: Light-weight, S: Medium-weight, F: Foundation, G: Jeans and heavy-weight	
Dry type	Semi-dry-head	
Max. sewing speed	3,000rpm	
Distance from needle to machine arm	120mm(H)×266mm(W)×87mm(Height of jaw part)	
Needle gauge	LH-3528	3/32"~1-1/2" (2.4~38.1mm)
	LH-3528-7	1/8"~1-1/4" (3.2~31.8mm)
	LH-3568	1/8"~3/4" (3.2~19.1mm)
	LH-3568-7	
Feed system	Changeover between the needle feed and bottom feed	
Max. stitch length	5mm (F type: 4mm)	
Needle bar stroke	33.4mm	
Thread take-up	Slide type	
Tensioner	Integral type (lockstitch type)	
Thread winder	Belt-driven	
Lift of the presser foot	By hand: 5.5mm, By knee: 12mm	
Oiling system 1	Oil circulation system (standard)	
Oiling system 2	Clean oil system	
Tank capacity	220cc	
Lubricating oil	JUKI New Defrix Oil No.1	
Needle	DP×5 #9~#16 (A and S type) #16~22 (G type)	
Power consumption	650VA (SC-500)	
Outside dimensions of package	718mm(H)×341mm(W)×744mm(L)	
Machine head weight (including the package)	LH-3528/3568: 48kg, LH-3528-7/3568-7: 50kg	

## MOTOR PULLEY · BELT

### ● Without automatic thread trimmer

Motor pulley		Number of revolutions (rpm)		Belt	
Outside diameter (mm)	Part No.	50Hz	60Hz	Length (inch)	Part No.
75	MTKP0070000	3,000	-	43	MTJVM00430A
70	MTKP0065000	2,790	-		
65	MTKP0060000	2,580	3,000	42	MTJVM00420A
60	MTKP0055000	2,370	2,740		

### ● With automatic thread trimmer

Control box	Belt	
Model	Length (inch)	Part No.
SC-500	43	MTJVM00430A

**JUKI**® 8-2-1, KOKURYO-CHO, CHOFU-SHI,  
TOKYO 182-8655, JAPAN  
PHONE : (81) 3-3480-2357, 2358  
FAX : (81) 3-3430-4909  
MARKETING & SALES H.Q. <http://www.juki.com>

\* Specifications and appearance are subject to change without prior notice for improvement.  
\* Read the instruction manual before putting the machine into service to ensure safety.  
\* This catalogue prints with environment-friendly soyink on recycle paper.



**JUKI CORPORATION HEAD OFFICE**

The environmental management system to promote and conduct  
① the technological and technical research, the development and design of the products in which the environmental impact is considered.  
② the conservation of the energy and resources, and the recycling, in the research, development, design, distribution, sale and maintenance service of the industrial sewing machines, household sewing machines and industrial-use robots, etc, and in the sale and maintenance service of the data entry system and in the purchase, distribution and sale of the household commodities including the healthcare products.